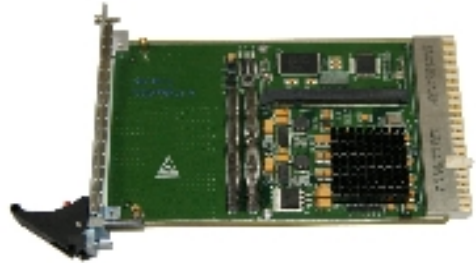


# OpenATE 3U PXI FPGA Carrier

## Key Features

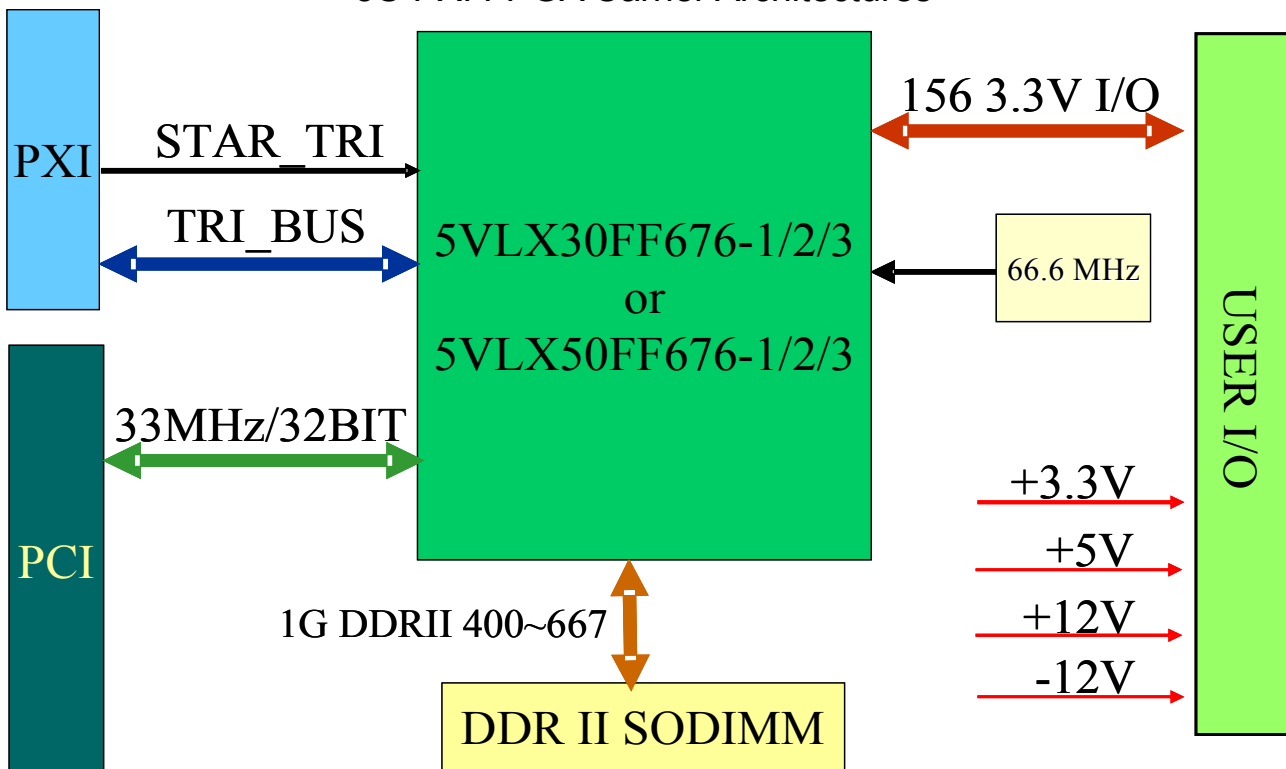
- PCI 32 bit / 33MHz I/O
- PXI Trigger bus 0...7
- PXI Star\_trigger
- Local 66.6 MHz CLK
- User I/O 156 pin, 5V/3.3V for daughter board
- 1GB DDRII 400/533/667 SODIMM socket
- Xilinx FPGA Virtex-5 5VLX30FF676-1/2/3 or 5VLX50FF676-1/2/3
- PCI and DDRII IP included
- PXI 3U



## Overview

Using the OpenATE 3U PXI FPGA Carrier, you can develop your design to define custom I/O and control hardware without prior knowledge PCI I/O and DDRII interface. We can also support customization.

### 3U PXI FPGA Carrier Architectures



**OpenATE Inc.**

*The Open Solution for IC Tester*

5F17, 5F, No.5, Sec.5, Xinyi Rd., Taipei City, Taiwan  
Tel:886-2-2729-1308; Fax:886-2-2729-1387; www.openate.com

Copyright © OpenATE Inc., All rights reserved. Specifications subject to change without notice.